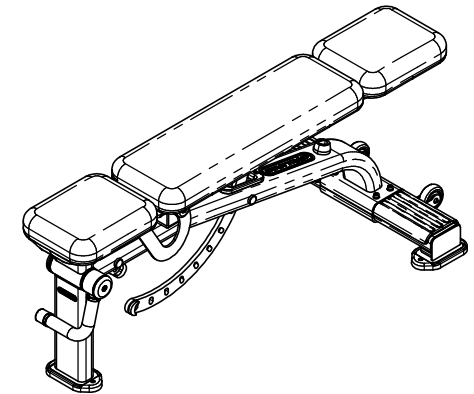
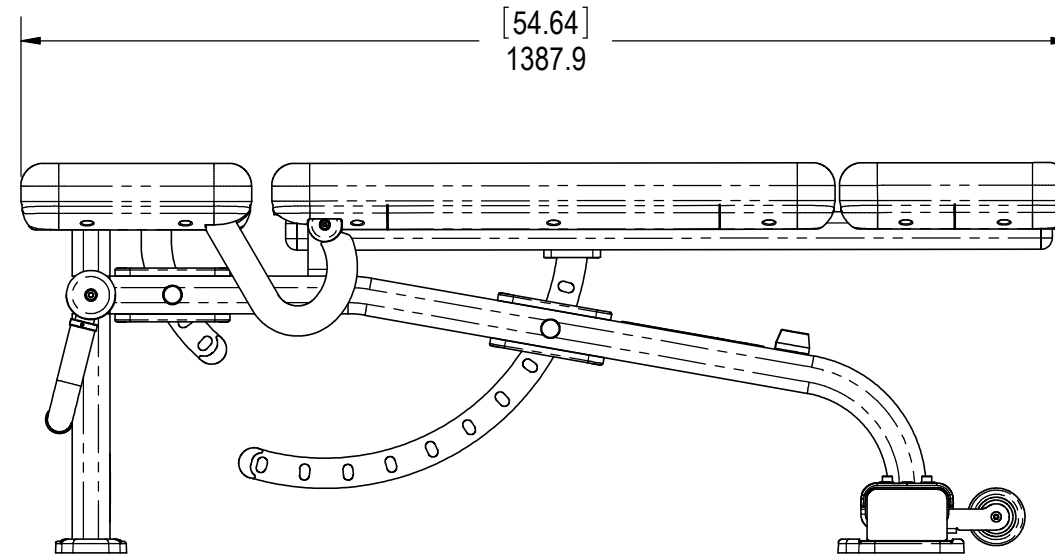
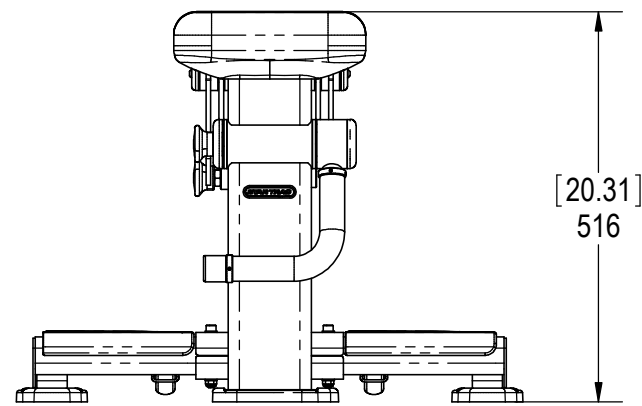
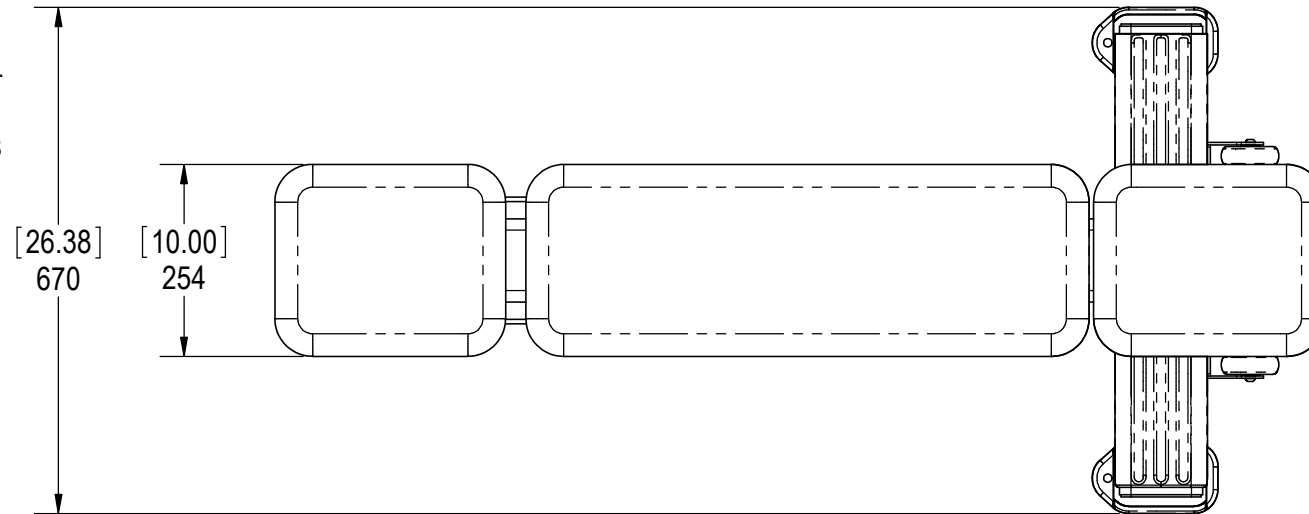


REVISION HISTORY

REV	DATE	DESCRIPTION	ECO	BY
A	11/17/2010	RELEASE FOR PRODUCTION	13429	RLH
B	9/19/2013	CHANGED FOOT TO NEW DESIGN	14367	KY
C	6/19/2014	REMOVED RIVET NUTS (731-0033), REVISED ASSY, MAB, BACK PIVOT (731-2000-XX),	14684	WFH

NOTES:

1. ASSEMBLE AND INSPECT PER SOP 620-7918.
2. INSTALL Kg STICKER AND AFFIX Lb STICKER TO INSIDE OF SHROUD WITH TAPE.
3. COLOR DICTATED BY THE SALES ORDER.
 - a. COLOR: -XX COLOR DESIGNATOR AS SPECIFIED IN SOP 620-8222.
 - b. THE -XX CAN RESULT IN ONE COLOR FOR THE METAL SHROUD AND A DIFFERENT COLOR FOR THE METAL FRAME ALSO WITH A -XX LISTED ON THE BOM.
 - c. THE -00XX IS THE COLOR DESIGNATOR FOR UPHOLSTERY.
 - d. THE 5TH DESIGNATOR: "X" WITHIN -XXXXX DEFINES THE HEAD STRAP OR
 - e. CUSTOM PRODUCTS BRAND. THIS IS SPECIFIED ON SALES ORDERS.
 - f. THE -XXXXX IS CREATED BY COMBINING THE -XX, -00XX AND THE 5TH DESIGNATOR.
4. ALL X'S SHOULD BE DEFINED ON THE SALES ORDER.



DOCUMENT STATUS:

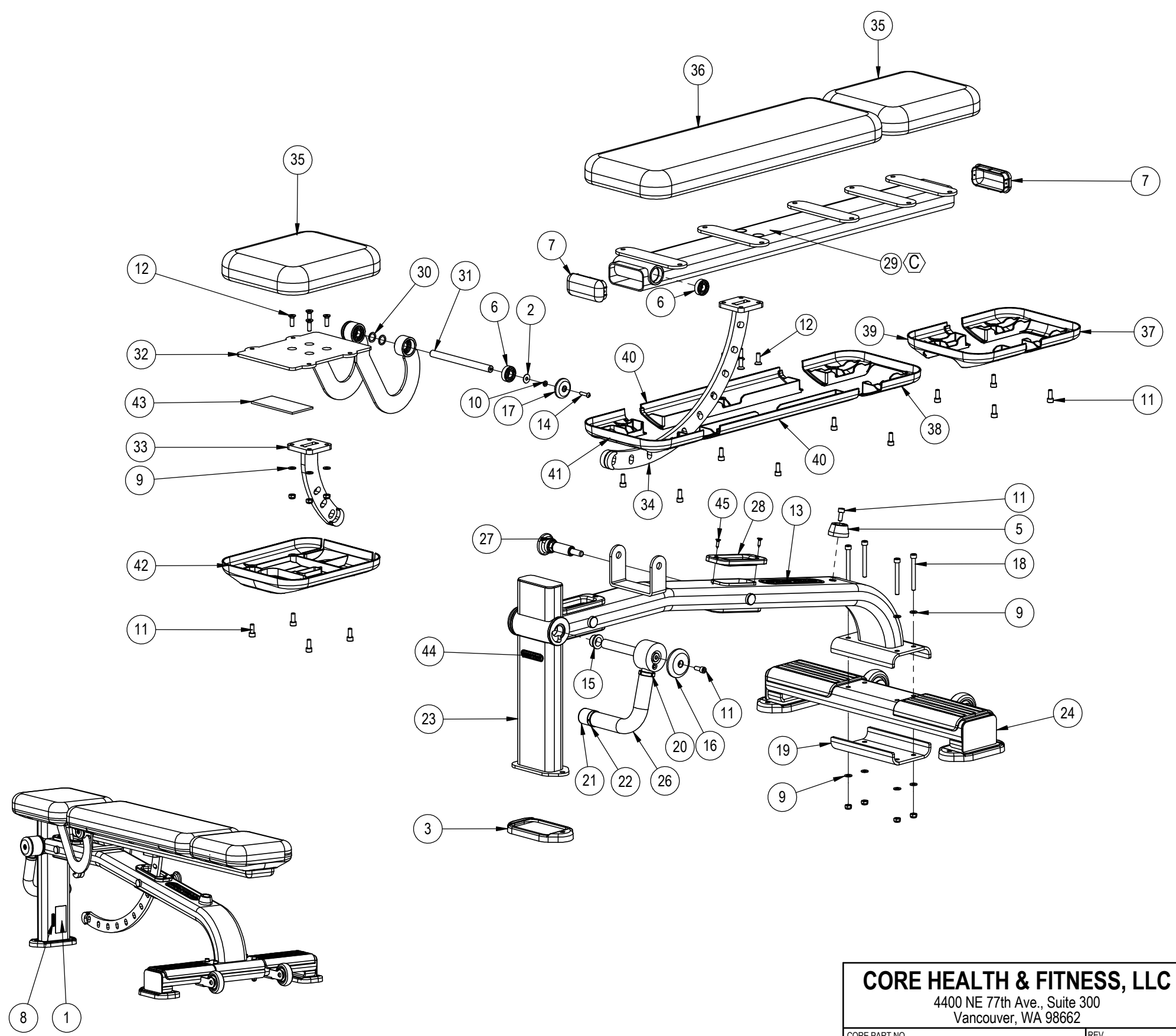
NOTICE OF PROPRIETARY INFORMATION
THIS DOCUMENT SHALL NOT BE REPRODUCED NOR SHALL THE INFORMATION CONTAINED HEREIN BE USED BY OR DISCLOSED TO OTHER EXCEPT AS EXPRESSLY AUTHORIZED BY CORE HEALTH & FITNESS, LLC.

CLASS OF WORK	UNLESS OTHERWISE SPECIFIED DIMS ARE IN mm. TOLERANCES FOR MEASURE OF LENGTH ARE:								MATERIAL SEE BOM
	0.5 to 3	>3 to 6	>6 to 30	>30 to 120	>120 to 400	>400 to 1000	>1000 to 2000	>2000	
FINE	±0.05	±0.05	±0.1	±0.15	±0.2	±0.3	±0.5	----	FINISH N/A
MEDIUM	±0.1	±0.1	±0.2	±0.3	±0.5	±0.8	±1.2	±2	
COARSE	±0.2	±0.3	±0.5	±0.8	±1.2	±2	±3	±4	
VERY COARSE	----	±0.5	±1	±1.5	±2.5	±4	±6	±8	

THIRD ANGLE PROJECTION		CORE PART NO	
		CORE PART NO	
DRAWN	INITIAL	DATE	REV
CHECKED	RLH	10/29/2010	C
APPROVED			
VENDOR: N/A		P/N: N/A	
		U.O.M.	MM

CORE HEALTH & FITNESS, LLC 4400 NE 77th Ave., Suite 300 Vancouver, WA 98662		
TITLE MULTI ADJUST BENCH		
SCALE: 1:10	SHEET 1 OF 2	SHEET SIZE: B

ITEM NO.	PART NUMBER	DESCRIPTION	Default/QUANTITY
1	050-2125-10	STICKER,SERIAL NUMBER,BENCHES	1
2	731-0001	WASHER, 20mm X 7mm X 1mm	2
3	731-0021	SHOE, 75X147.7	1
4	731-0033	NUT, RIVET,M8 X 1.25	1
5	731-0040	STOP,Ø50X26,RUBBER	1
6	731-0130	BEARING,15mm BORE,35MM OD,11MM	6
7	731-0209	CAP, END, 110 X 50	2
8	731-0335	STICKER, MADE IN CHINA, IP	1
9	731-0355	WASHER,PLAIN,M8,NARROW	12
10	731-0373	WASHER,PLAIN,M6	2
11	731-0379	SCREW,M8 X1.25,20mm,SHC,HK	17
12	731-0397	SCREW,M8 X 1.25,25mm,FHM,HK	9
13	731-0513	STICKER,STAR TRAC,DECO,45MMX191MM	1
14	731-0869	SCREW,M6 X1.0, 25mm, BHS,HK	2
15	731-1050	BUSHING, JFM-2026-15, IGUS	2
16	731-1265	CAP,END,65MM,NO GROOVE	2
17	731-1357	CAP, BEARING 1 3/4 RND	2
18	731-1450	SCREW,M8 X 1.25,75mm,SHC,HK,AS,ZP	4
19	731-1458-XX	BRACKET,BOTTOM,FOOT,WT STORAGE	1
20	731-1785	SCREW,SET,M4X.7,4MM	4
21	731-1904	END CAP	1
22	731-1917	TRIM RING,GRIP	2
23	731-1980-XX	ASSY,MAB,MAIN FRAME	1
24	731-1983-XX	ASSY,WIDE FOOT,BENCH	1
25	731-1988-XX	ASSY,BENCH,HANDLE	1
26	731-1989	GRIP,HANDLE,BENCH	1
27	731-1994	PULL PIN,LARGE	2
28	731-1996	PLASTIC,TRIM RING,ROM	4
29	731-2000-XX	ASSY,MAB,BACK PIVOT	1
30	731-2002	MACHINE WASHER, 1MM THICK	4
31	731-2003	SHAFT,MAB,PIVOT	1
32	731-2007-XX	ASSY,SEAT FRAME,MAB	1
33	731-2010	ASSY,ROM,MAB,SEAT BOTTOM	1
34	731-2012	ASSY,ROM,MAB,BACK PAD	1
35	731-2013-00XX	ASSY,HEAD REST,FB	2
36	731-2017-00XX	ASSY,BACK REST,DECLINE	1
37	731-2018	COVER,FRONT,END,SEAT,B&R	1
38	731-2019	COVER,FRONT,END,SEAT,B&R	1
39	731-2020	COVER,FRONT,END,SEAT,B&R	1
40	731-2021	COVER,MIDDLE,SEAT,B&R	2
41	731-2022	COVER,FRONT,END,SEAT,B&R	1
42	731-2023	COVER,FRONT,END,SEAT,B&R	1
43	731-2025	STOP,SEAT,MAB	1
44	731-2416	STICKER,STARTRAC,70MM,DECO	1
45	731-1995	SCREW,M5,SHEET METAL	8
46	731-0365	NUT,M8 X 1.25,NYLOC JAM	8



CORE HEALTH & FITNESS, LLC
 4400 NE 77th Ave., Suite 300
 Vancouver, WA 98662

CORE PART NO: **IP-B7506-XXXXX** REV: **C**

TITLE: **MULTI ADJUST BENCH**

SCALE: 1:10 | SHEET 2 OF 2 | SHEET SIZE: B